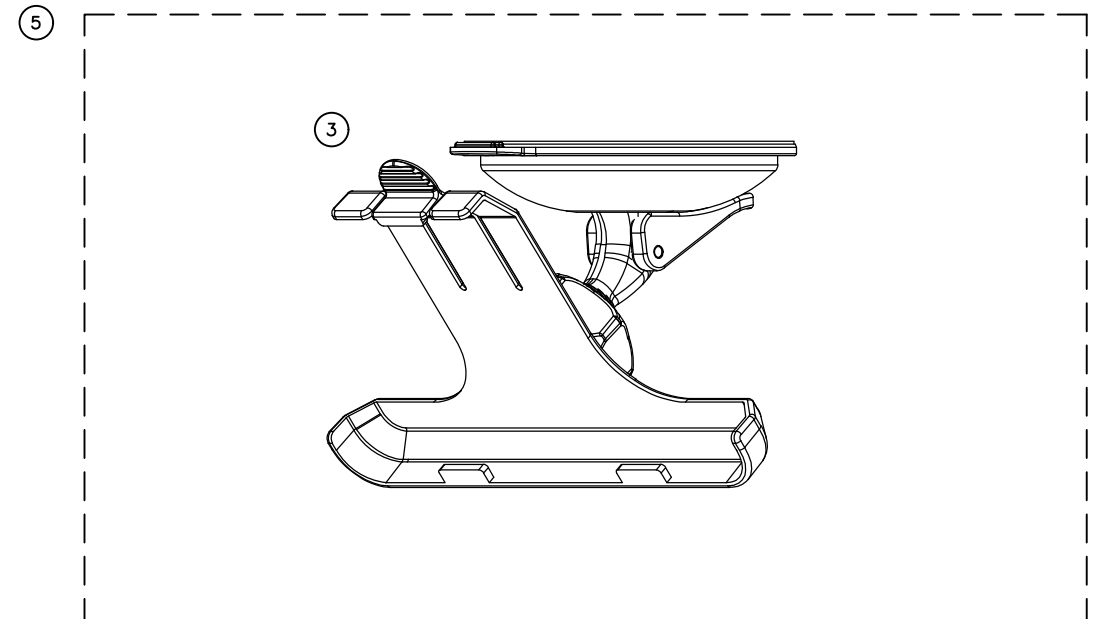
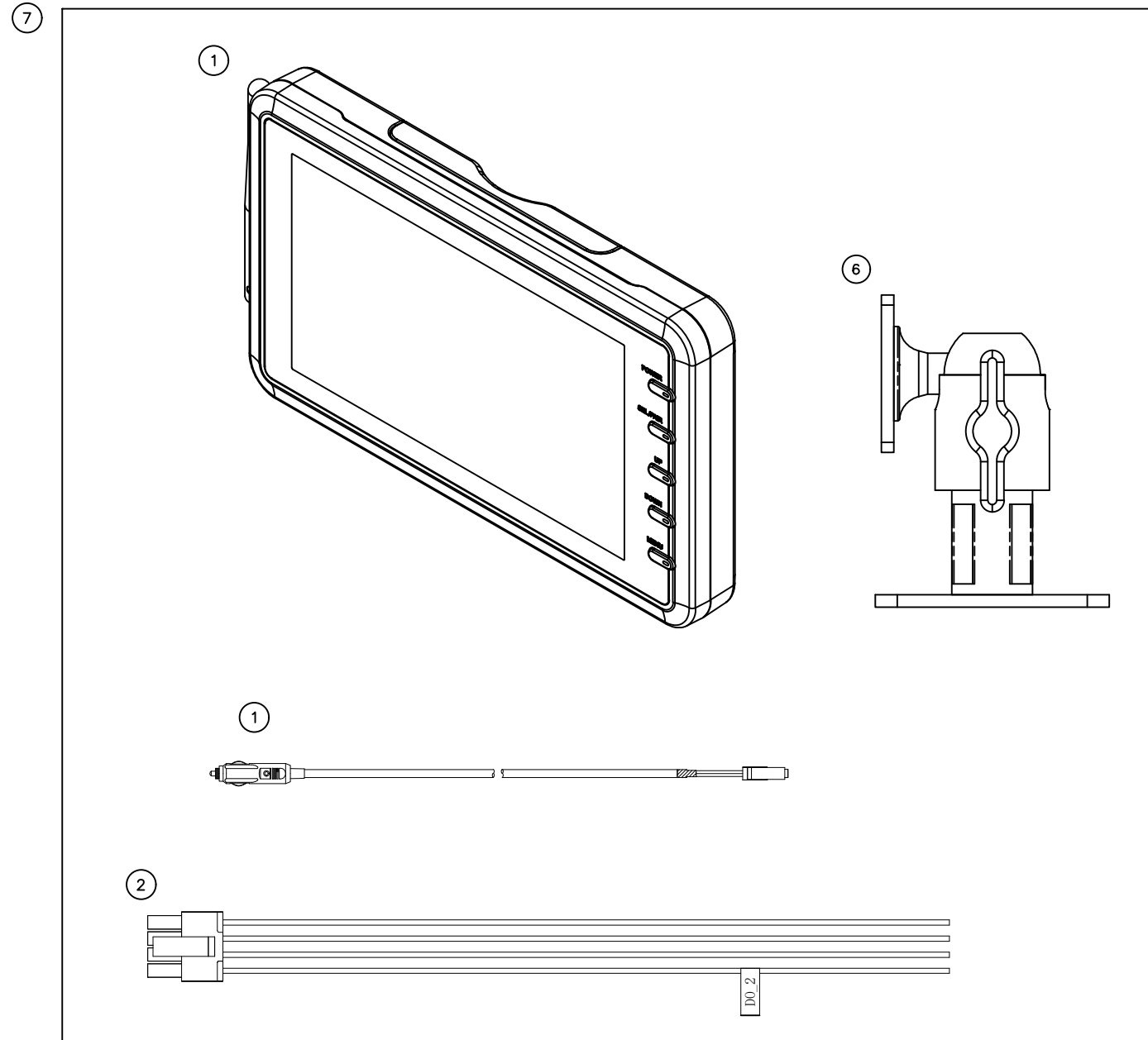


SOLID Y

DESIGN REVISIONS			
REV	DATE	REVISION HISTORY	ECO#
A	12/22/22	ORIGINAL	

NOTES:

- 1) LABEL TO HAVE PART #, REV LVL, AND BUILD DATE
- 2) ADD GPIO HARNESS (ITEM 2) AND MOUNT (ITEM 6) TO BOX AND REPACKAGE
- 3) REMOVE PWVSM70SCM (ITEM 3 – SUCTION CUP MOUNT KIT) FROM BOX
(ADD PWVSM70SCM TO STOCK USING BAG (ITEM 5) AND LABEL (ITEM 4))
- 4) REQUIRES SOFTWARE UPDATE. ADD CBM0705V1.03.059_All_110K_CV_UI13_Logo02.bin TO MONITOR;
FILE LOCATION: S:\Public\Engineering\Fab Rework\WVSM70CV
- 5) PERFORM RESET, AND CHANGE AUTO POWER SETTING TO OFF



ITEM NO.	PART NUMBER	DESCRIPTION	QTY.
7	38000015	BOX, CORR.12 X 10 X 5 S4522	1
6	VOSHD4MNT	MOUNT, HD MONITOR MOUNT 4"	1
5	1321180	BAG, 9 X 12	1
4	1324831T	LABEL 2 X 4	2
3	PWVSM70SCM	MOUNT, WVSM70 SUCTION MOUNT KIT	-1
2	31400087	HARNESS, GPIO CABLE FOR WVSM70CV	1
1	WVSM70	VOYEGAR, 7" WIRELESS MONITOR W AUTO-PAIR	1

TOLERANCES (UNLESS OTHERWISE SPECIFIED) PART #: **WVSM70CVPEPSI** REVISION **A**
 DECIMALS .X ±.060 DECIMALS .XXX ±.010
 DECIMALS .XX ±.030 ANGLES ±1°
 ALL DIMENSIONS ARE IN INCHES, UNLESS OTHERWISE SPECIFIED.
 DESCRIPTION: MONITOR, CV WIRELESS 7IN W/ MONITOR MOUNT

THIRD ANGLE PROJECTION SCALE: N/A SHEET: 1 OF 1 ORIGIN DATE: 12/22/22 DRAWN BY: A.PEEK PREP: M

Confidential: This drawing and the information contained within are the intellectual property of ASA. This drawing may not be reproduced or distributed without the written authorization of ASA.

asa ELECTRONICS 2602 Marina Drive Elkhart, IN 46514 www.asaelectronics.com

REV	DATE	BY	MECHANICAL ENG.	PRODUCT ENG.	CHANGE DESCRIPTION	EDR#
2	01/26/23-AP				ADDED RESET AND AUTO POWER INSTRUCTION	WVSM70CVPEPSI-A-2
1	12/22/22-AP				REVISION A	WVSM70CVPEPSI-A-1

DOCUMENT REVISIONS