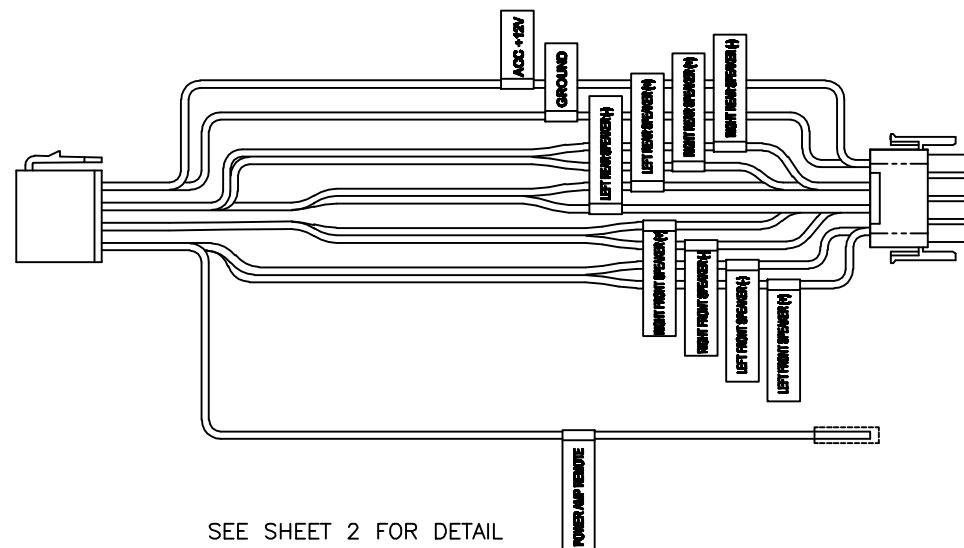
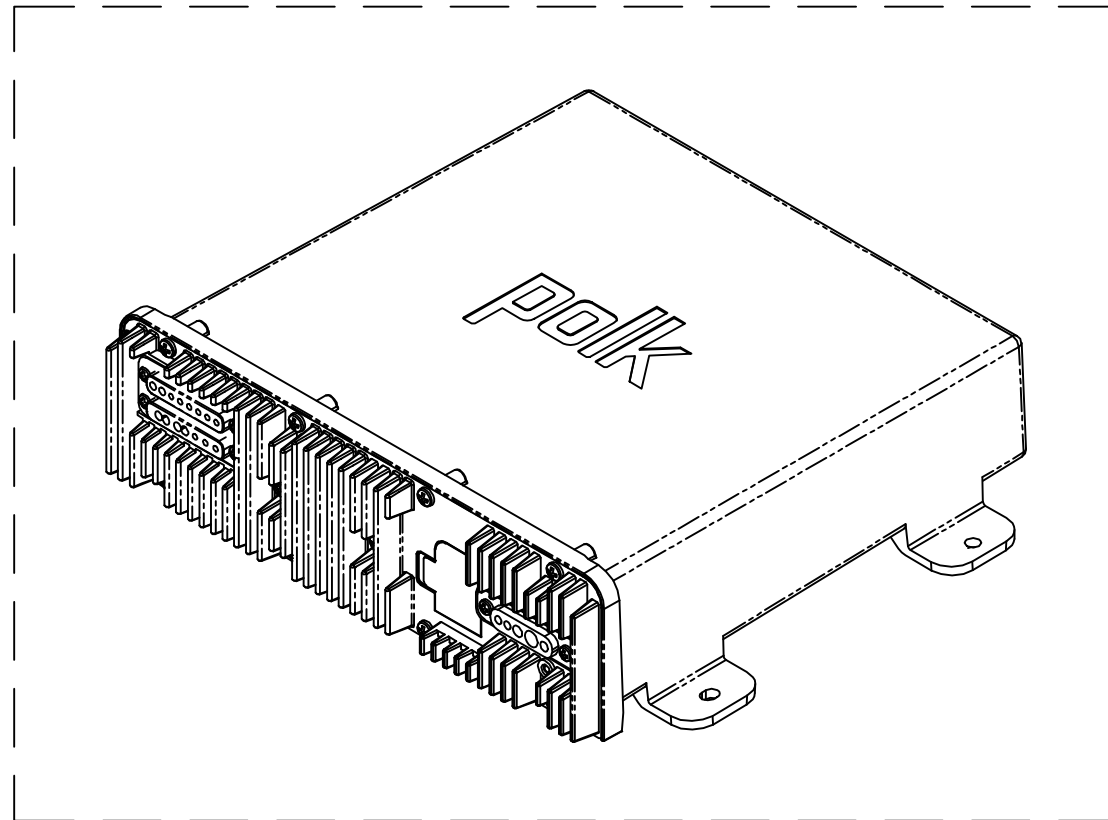


SOLID N

DESIGN REVISIONS

REV	DATE	REVISION HISTORY	ECO#
A	11/22/19	ORIGINAL	

1



SEE SHEET 2 FOR DETAIL

ITEM NO.	PART NUMBER	DESCRIPTION	QTY.
5	35100001	LABEL, 1" X 2" WHITE VINYL	1
4	1324831T	LABEL, 2 x 4 THERMAL	1
3	8020536	TERMINAL, AMP 350536-1 SOCKET	10
2	8022708	PLUG, AMP 1-480708-0	1
1	PA4ATAB	RADIO, PA4A TUNER AMP BOX	1

TOLERANCES (UNLESS OTHERWISE SPECIFIED) PART #:

DECIMALS .X ±.060 DECIMALS .XXX ±.010
 DECIMALS .XX ±.030 ANGLES ±1°

ALL DIMENSIONS ARE IN INCHES, UNLESS OTHERWISE SPECIFIED.

PA4ATABG3 REVISION **A**

DESCRIPTION: RADIO, PA4ATAB FOR G3

THIRD ANGLE PROJECTION SCALE: N/A SHEET: 1 OF 2 ORIGIN DATE: 11/22/19 DRAWN BY: Z.SIMMONS TYPE M

REV	DATE	BY	MECHANICAL ENG.	PRODUCT ENG.	CHANGE DESCRIPTION	EDR#
2	08/14/20	ZS			CHANGED PRINT FORMAT	PA4ATABG3-A-2
1	11/22/19	ZS			REVISION A	PA4ATABG3-A-1

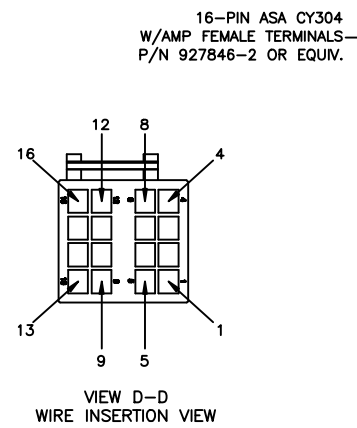
DOCUMENT REVISIONS

Confidential: This drawing and the information contained within are the intellectual property of ASA. This drawing may not be reproduced or distributed without the written authorization of ASA.

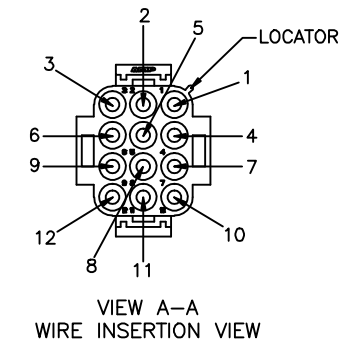
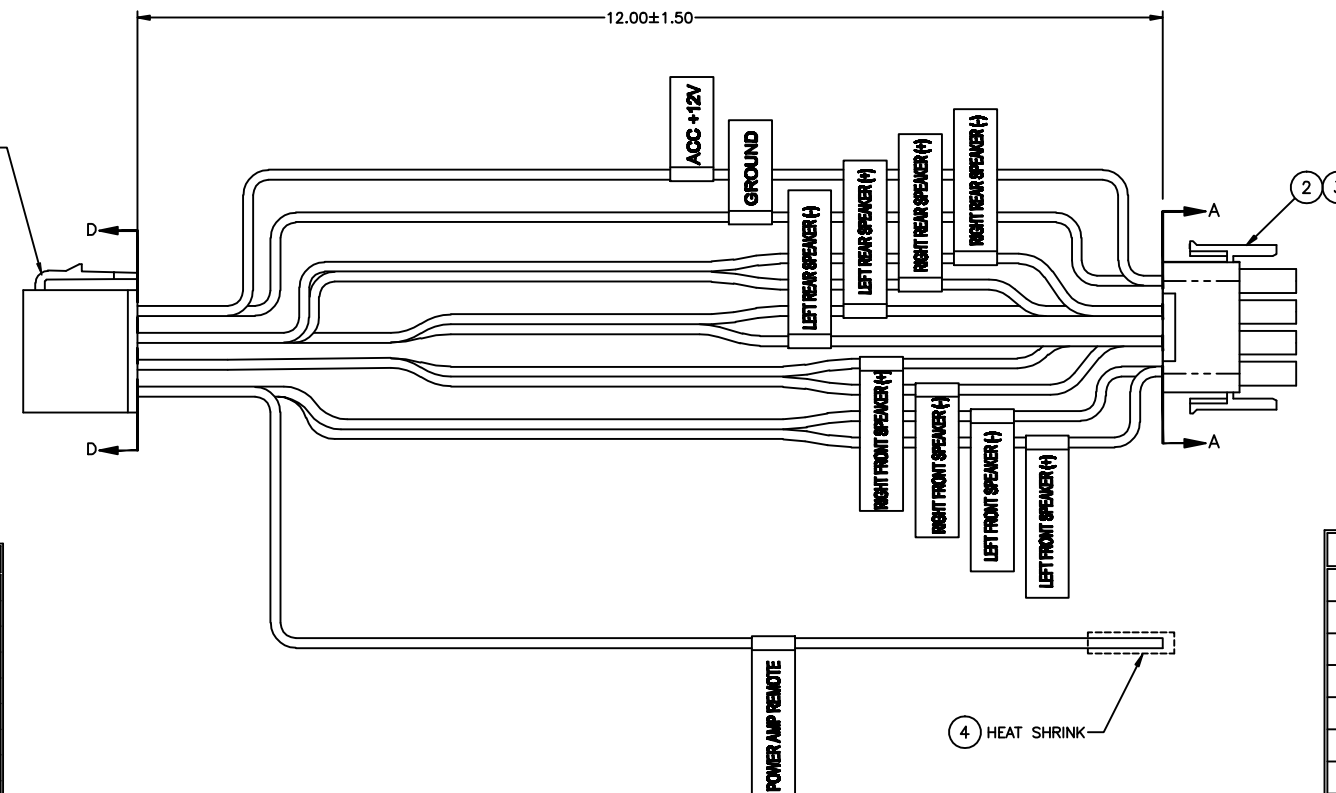
asa
ELECTRONICS

2602 Marina Drive
Elkhart, IN 46514
www.asaelectronics.com

REV	DATE	REVISION HISTORY	ECO#
A	11/22/19	ORIGINAL	



PIN NO.	WIRE COLOR	FUNCTION
1	GREEN	LEFT REAR SPEAKER (+)
2	WHITE	LEFT FRONT SPEAKER (+)
3	GRAY	RIGHT FRONT SPEAKER (+)
4	VIOLET	RIGHT REAR SPEAKER (+)
5	GREEN/BLACK	LEFT REAR SPEAKER (-)
6	WHITE/BLACK	LEFT FRONT SPEAKER (-)
7	GRAY/BLACK	RIGHT FRONT SPEAKER (-)
8	VIOLET/BLACK	RIGHT REAR SPEAKER (-)
9	EMPTY	NO CONNECTION
10	BLUE	POWER ANTENNA
11	EMPTY	NO CONNECTION
12	EMPTY	NO CONNECTION
13	BLACK	GROUND
14	EMPTY	NO CONNECTION
15	RED	+12V ACC SWITCHED
16	EMPTY	NO CONNECTION



PIN NO.	WIRE COLOR	DESCRIPTION
1	RED	+12V ACC SWITCHED
2	WHITE/BLACK	LEFT FRONT SPEAKER (-)
3	WHITE	LEFT FRONT SPEAKER (+)
4	EMPTY	NO CONNECTION
5	GRAY/BLACK	RIGHT FRONT SPEAKER (-)
6	GRAY	RIGHT FRONT SPEAKER (+)
7	BLACK	12V GROUND
8	GREEN/BLACK	LEFT REAR SPEAKER (-)
9	GREEN	LEFT REAR SPEAKER (+)
10	EMPTY	NO CONNECTION
11	VIOLET/BLACK	RIGHT REAR SPEAKER (-)
12	VIOLET	RIGHT REAR SPEAKER (+)

TOLERANCES (UNLESS OTHERWISE SPECIFIED) DECIMALS X ±.060 DECIMALS .XXX ±.010 DECIMALS .XX ±.030 ANGLES ±1° ALL DIMENSIONS ARE IN INCHES, UNLESS OTHERWISE SPECIFIED.		PART #: PA4ATABG3		REVISION A
THIRD ANGLE PROJECTION		SCALE: N/A	SHEET: 1 OF 2	ORIGIN DATE: 11/22/19
DRAWN BY: Z.SIMMONS		DESCRIPTION: RADIO, PA4ATAB FOR G3		TYPE M
Confidential: This drawing and the information contained within are the intellectual property of ASA. This drawing may not be reproduced or distributed without the written authorization of ASA.		2602 Marina Drive Elkhart, IN 46514 www.asaelectronics.com		

REV	DATE	BY	MECHANICAL ENG.	PRODUCT ENG.	CHANGE DESCRIPTION	EDR#
2	08/14/20	ZS			CHANGED PRINT FORMAT	PA4ATABG3-A-2
1	11/22/19	ZS			REVISION A	PA4ATABG3-A-1

DOCUMENT REVISIONS