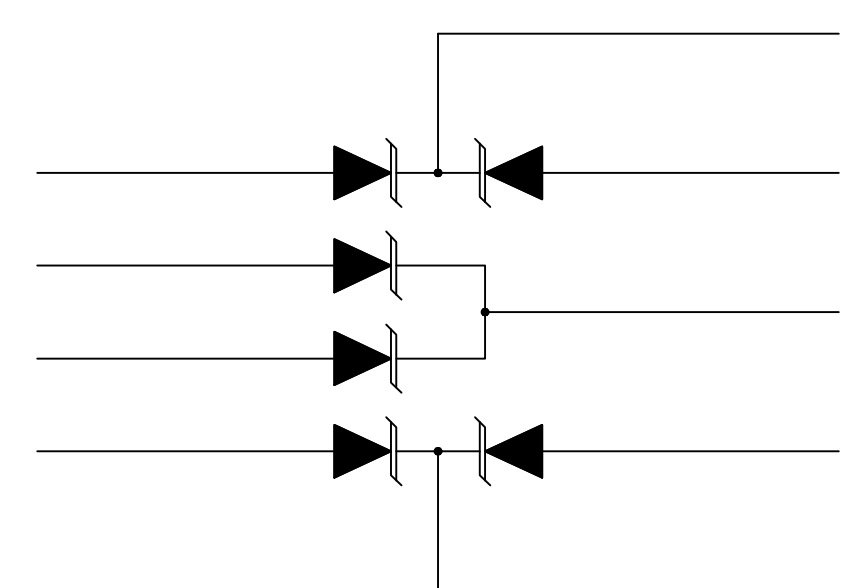
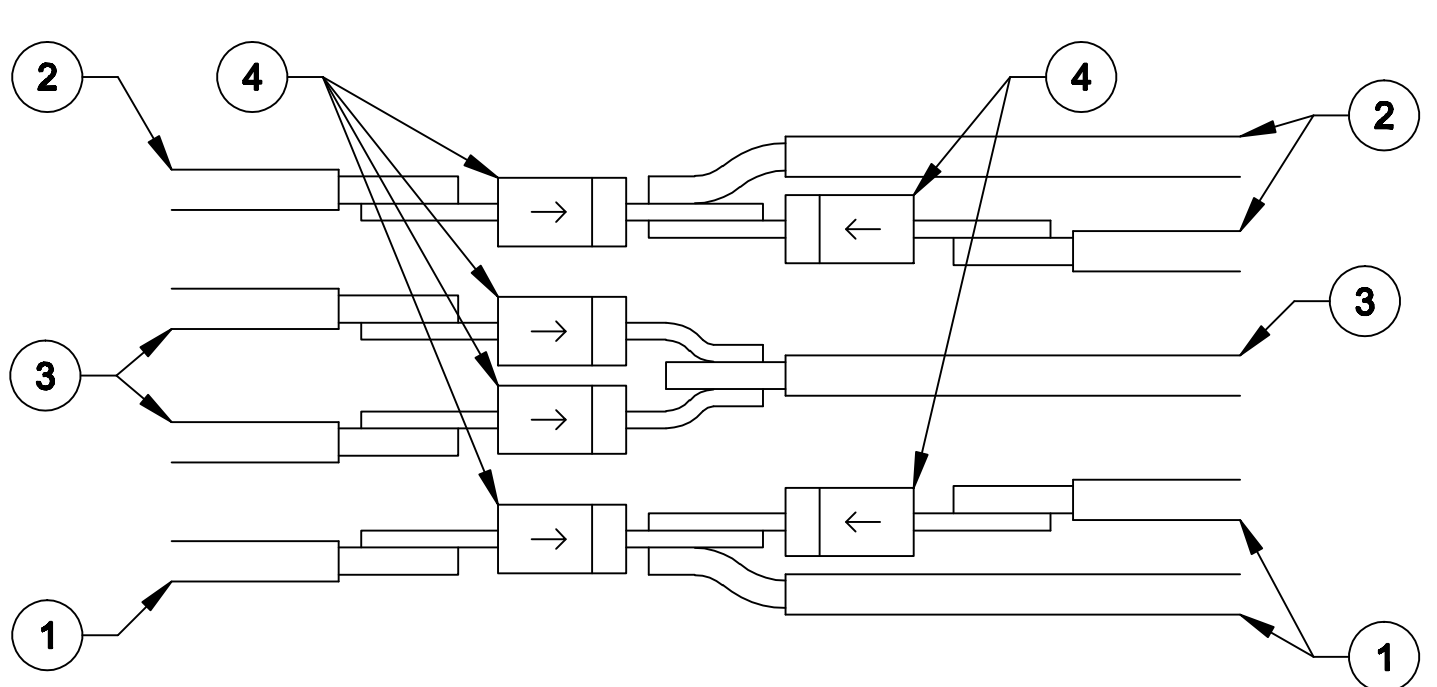
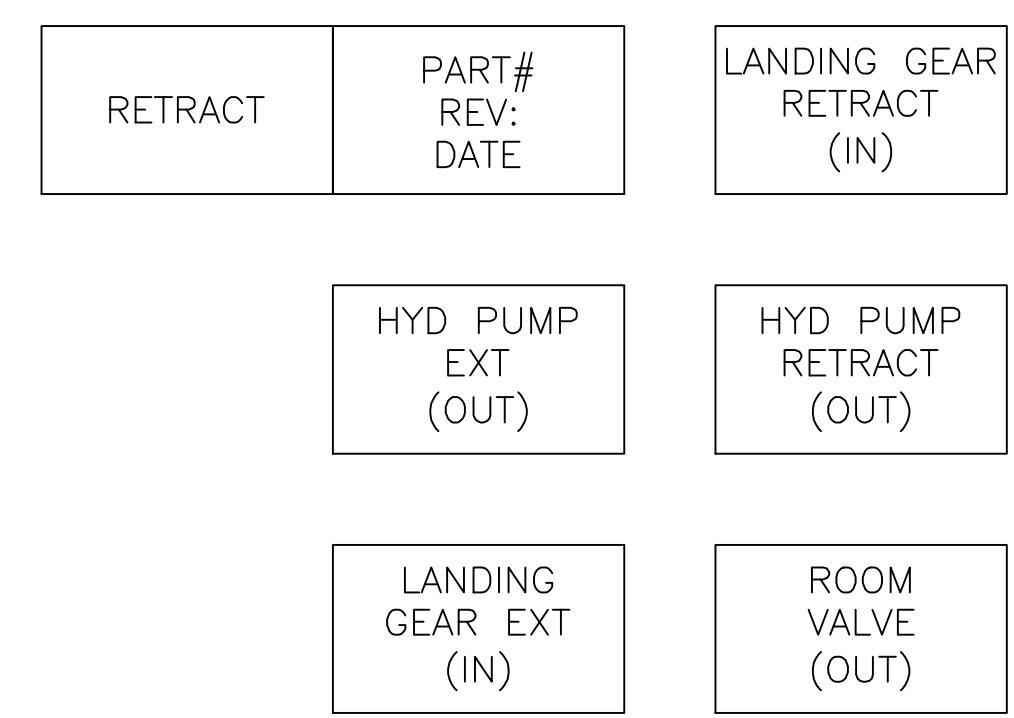
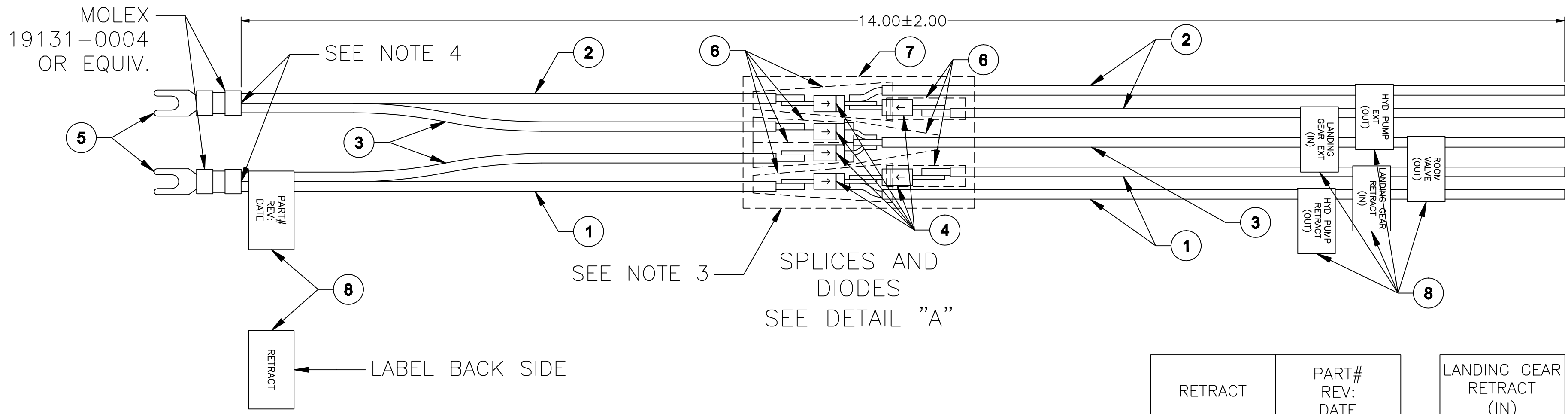


DESIGN REVISIONS			
REV	DATE	REVISION HISTORY	ECO#
A	04/16/19	ORIGINAL	

NOTES:

1. ALL WIRES 16 AWG UNLESS SPECIFIED OTHERWISE.
2. ALL DIODE TO WIRE CONNECTIONS TO BE SOLDERED AND HEATSHRINK (6)
3. ENTIRE GROUP OF DIODE CONNECTIONS TO BE ENCLOSED IN HEATSHRINK (7)
4. GANG RED AND YELLOW AND RED AND ORANGE WIRES IN FORK TERMINALS (5)



DETAIL A:
SPLICES AND DIODES DETAIL
(HEATSHRINK REMOVED)

DIAGRAM B:
SPLICES AND DIODES
WIRING

CONNECTION LABELS DETAILS

ITEM NO.	PART NUMBER	DESCRIPTION	QTY.
8	35100001	LABEL 1X2	6
7	ATUM164	HEATSHRINK .75-.375 W.GLUE	4
6	8072004	HEATSHRINK .25	9
5	32527	TERMINAL, SPADE 10/12GA STUD	2
4	15KE27A	TRANSIENT VOLTAGE SUPPRESSION DIODE	6
3	8087931	WIRE 16GA RED	18
2	8087925	WIRE 16GA ORANGE	18
1	31000042	WIRE 16GA YELLOW	18

TOLERANCES (UNLESS OTHERWISE SPECIFIED) PART #:

DECIMALS X ±.000 DECIMALS .XXX ±.010
 DECIMALS .XX ±.030 ANGLES ±1°
 ALL DIMENSIONS ARE IN INCHES, UNLESS OTHERWISE SPECIFIED.

THIRD ANGLE PROJECTION SCALE: N/A SHEET: 1 OF 1 ORIGIN DATE: 04/16/19 DRAWN BY: Z.SIMMONS

NCSPPH A

DESCRIPTION: IN-COMMAND HYDRAULIC HARNESS

Confidential: This drawing and the information contained within are the intellectual property of ASA. This drawing may not be reproduced or distributed without the written authorization of ASA.

asa ELECTRONICS 2602 Marina Drive Elkhart, IN 46514 www.asaelectronics.com

REV	DATE	BY	MECHANICAL ENG.	PRODUCT ENG.	REVISION A	CHANGE DESCRIPTION	EDR#	NCSPPH-A-1
1	04/16/19-ZS							

DOCUMENT REVISIONS