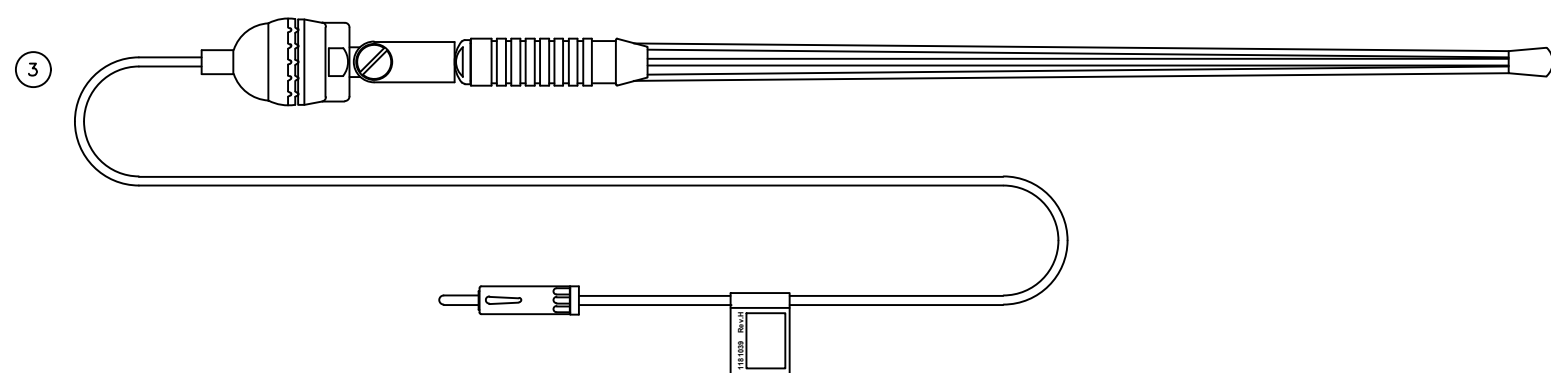
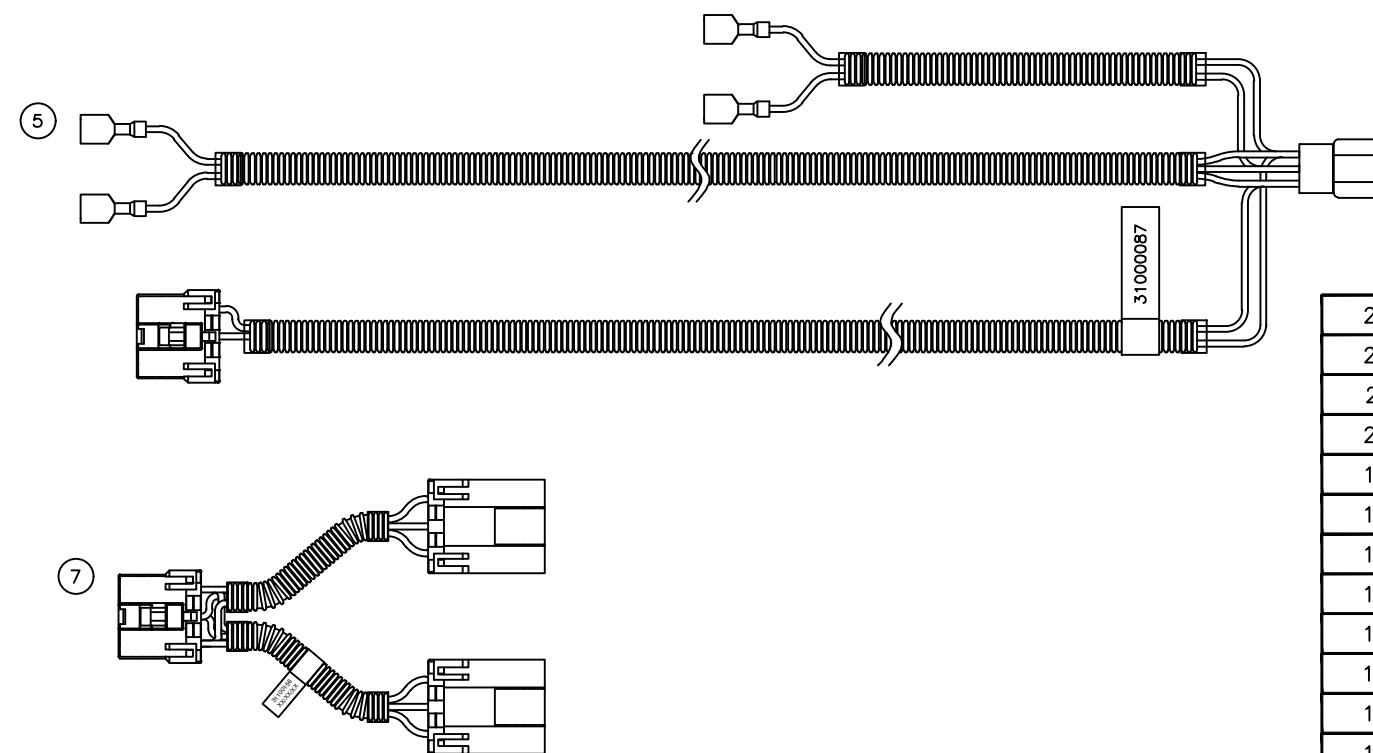
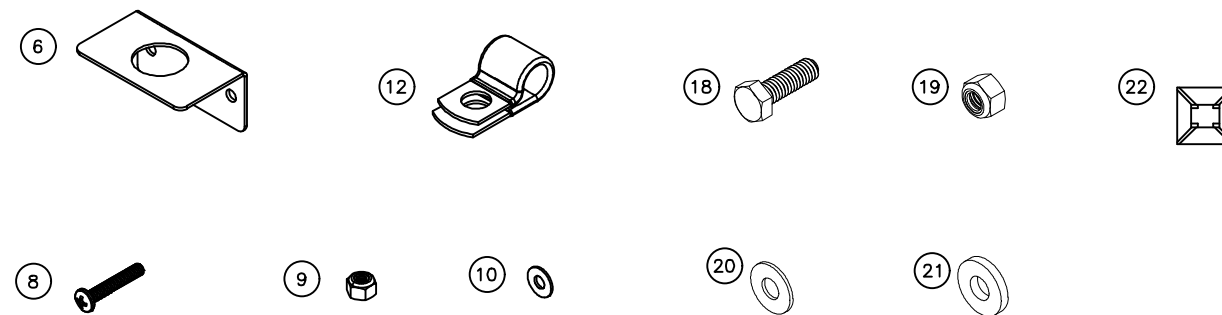
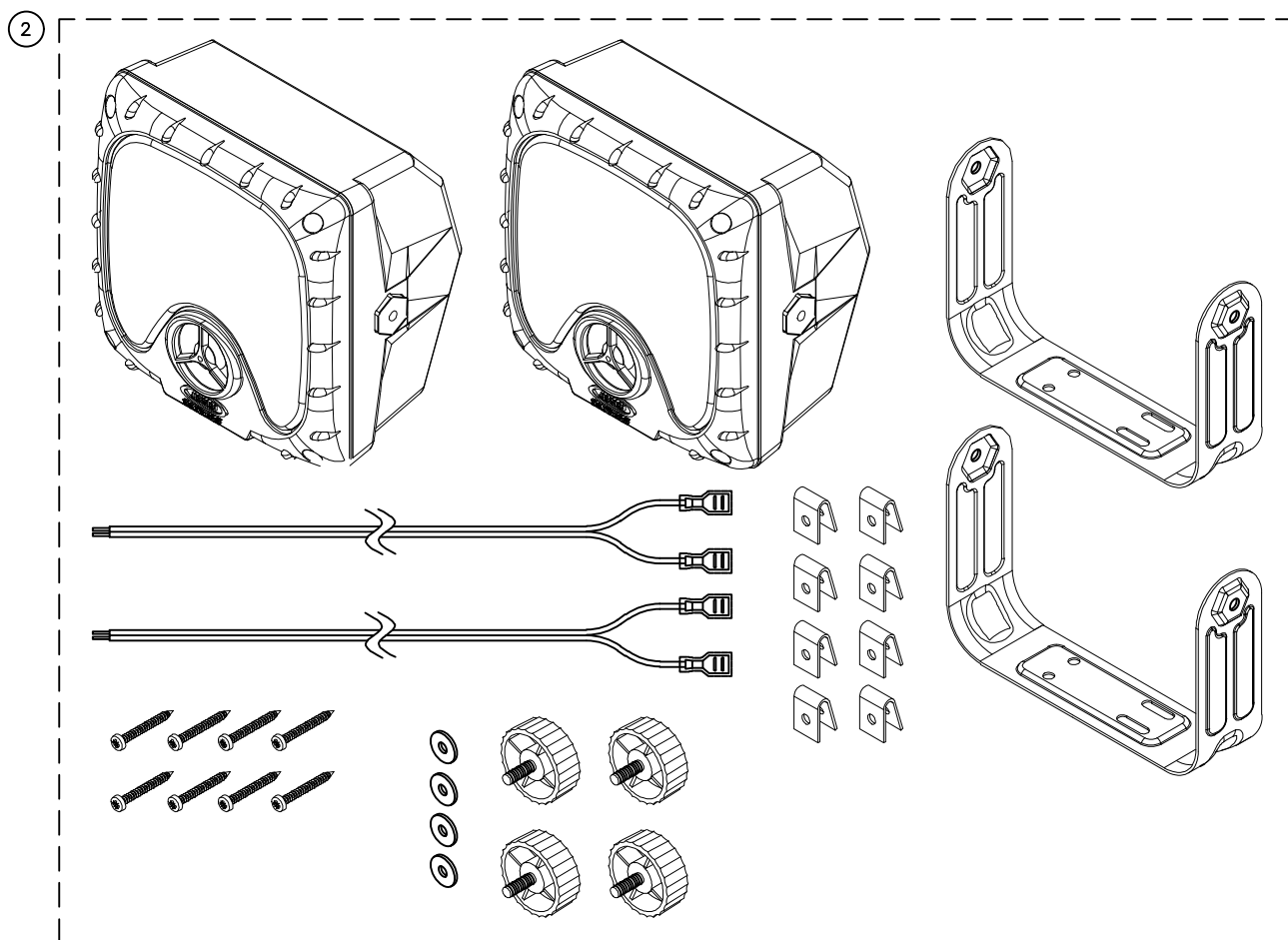
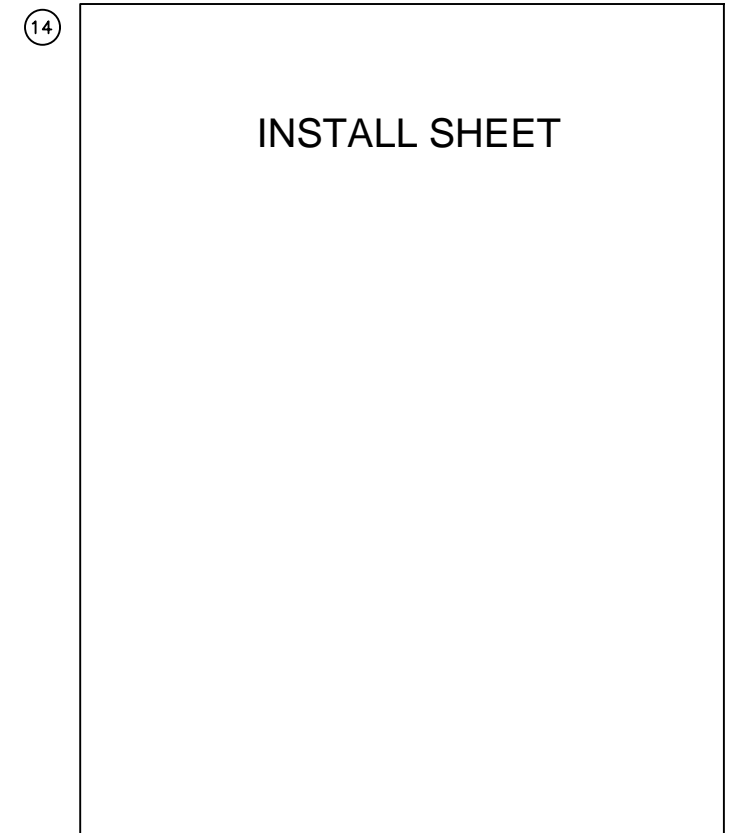
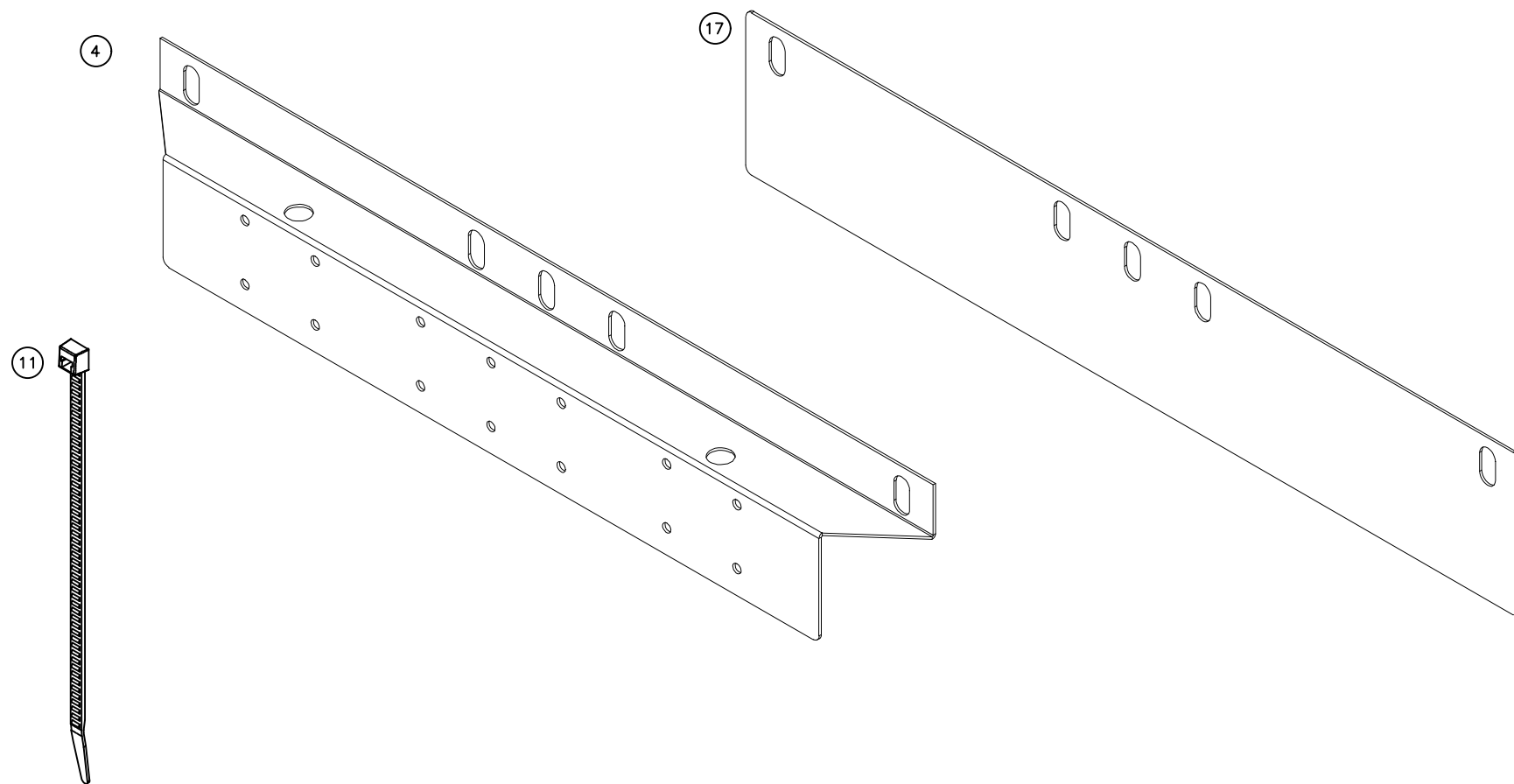
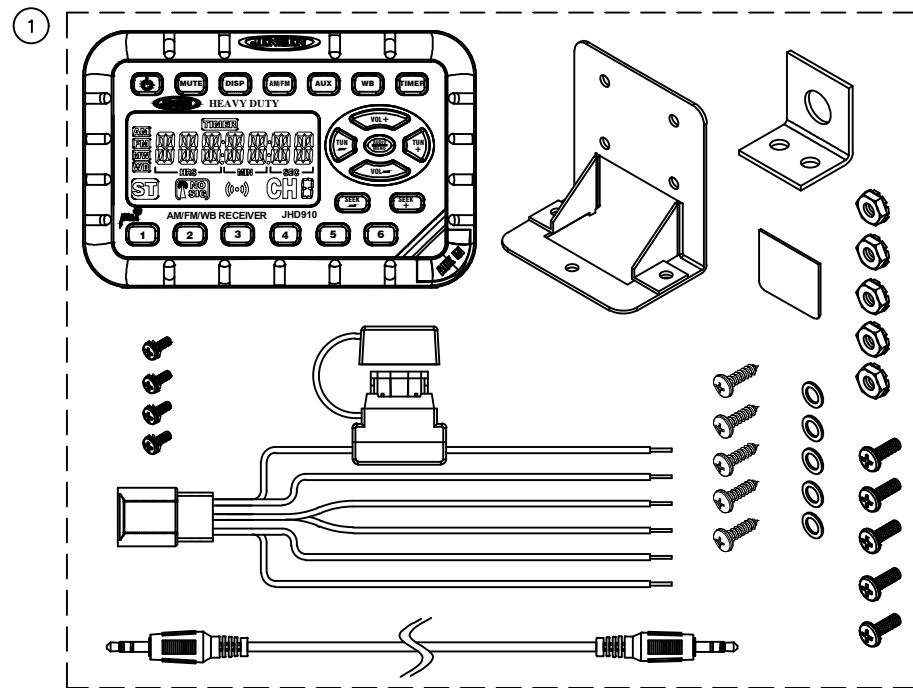


REV	DATE	REVISION HISTORY	ECO#
A	05/25/21	ORIGINAL	

NOTES:

- ITEMS 6 THRU 12 AND 18 THRU 22 TO BE PACKAGED INTO PLASTIC BAG (ITEM 14).
- RADIO BRACKET (ITEM 4) TO BE WRAPPED IN PROTECTIVE FOAM. (THEY SHOULD HAVE COME THIS WAY FROM THE SUPPLIER.)



ITEM NO.	PART NUMBER	DESCRIPTION	QTY.
23	P65LABEL	PROP 65 WARNING LABEL	2
22	8075060	MOUNT, NYLON CABLE TIE	6
21	34400008	WASHER, NEOPREME 3/8 IDX13/16 OD X .125	8
20	34400007	WASHER 5/16 FLAT ZINC	16
19	8000160	NUT 5/16-18 NYLOCK	8
18	34000033	BOLT 5/16-18 X 1 HEX	8
17	32300057	BRACKET 910 SVL BACK PLATE	2
16	38000042	BOX, 15" X 10" X 14"	1
15	1324831T	LABEL, 2" X 4" THERMAL	1
14	8051005	BAG, 5 X 10	1
13	37200053	INSTALL SHEET	1
12	34000020	CLAMP, 1/2" RUBBER COATED	4
11	1001199	CABLE TIE, BLACK 8"	10
10	1001011	WASHER, #8	6
9	8001960	NUT, 8-32 NYLON LOCKNUT	6
8	34200010	SCREW, MACHINE SS #8-32 X 1"	6
7	31100156	ADAPTER, "Y" FOR KUBOTA SVL	1
6	32300055	BRACKET, ANTENNA KUBOTA SVL	1
5	31000087	HARNESS, RADIO/SPEAKER KUBOTA SVL	1
4	32300054	BRACKET, RADIO/SPEAKER KUBOTA SVL	2
3	1181039	ANTENNA, RUBBER MAST	1
2	JXHD35	SPEAKER, PAIR 3.5" HD, SMT. HSG.	1
1	JHD910BT	RADIO, JHD910 WITH BLUETOOTH	1

TOLERANCES (UNLESS OTHERWISE SPECIFIED) PART #:
 DECIMALS .X ±.060 DECIMALS .00X ±.010
 DECIMALS .XX ±.030 ANGLES ±1°
 ALL DIMENSIONS ARE IN INCHES, UNLESS OTHERWISE SPECIFIED.

DESCRIPTION: KIT, RADIO, BT, FOR KUBOTA
 SCALE: N/A SHEET: 1 OF 1 ORIGIN DATE: 05/25/21 DRAWN BY: Z.SIMMONS

KUBSVLKITOSBT A
 Confidential: This drawing and the information contained within are the intellectual property of ASA. This drawing may not be reproduced or distributed without the written authorization of ASA.

asa ELECTRONICS 2602 Marina Drive Elkhart, IN 46514 www.asaelectronics.com

REV	DATE-BY	MECHANICAL ENG.	PRODUCT ENG.	REVISION A	CHANGE DESCRIPTION	KUBSVLKITOSBT-A-1	EDR#
1	05/25/21-ZS						

DOCUMENT REVISIONS